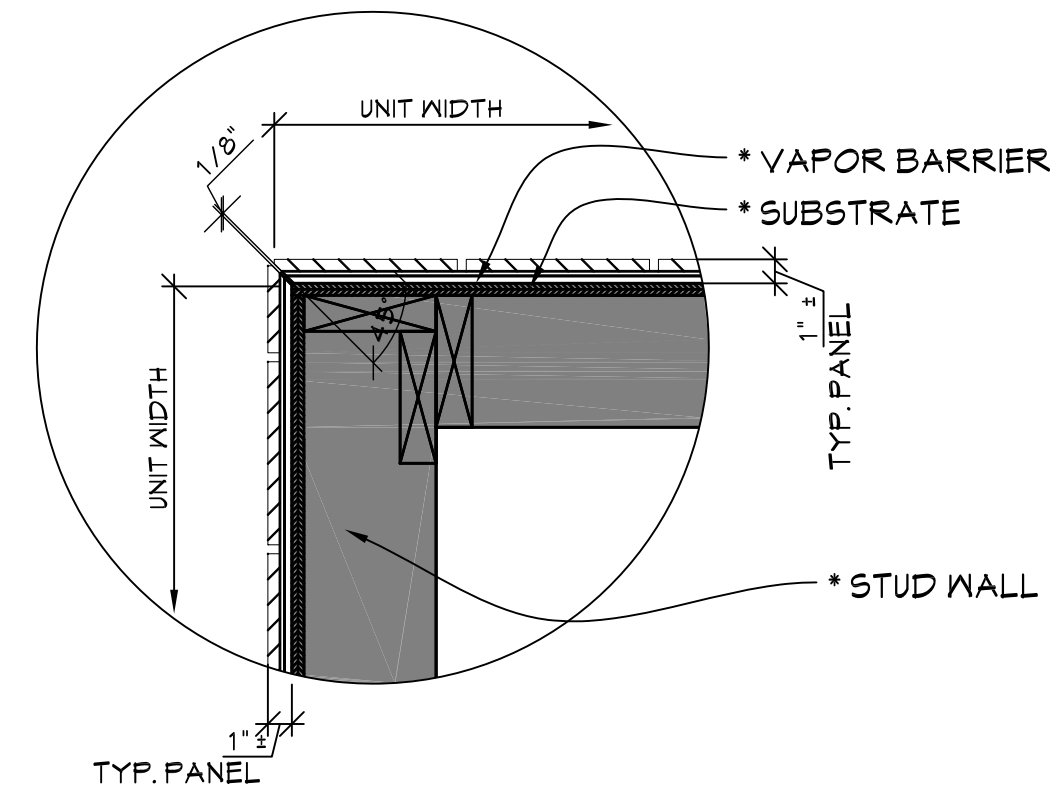
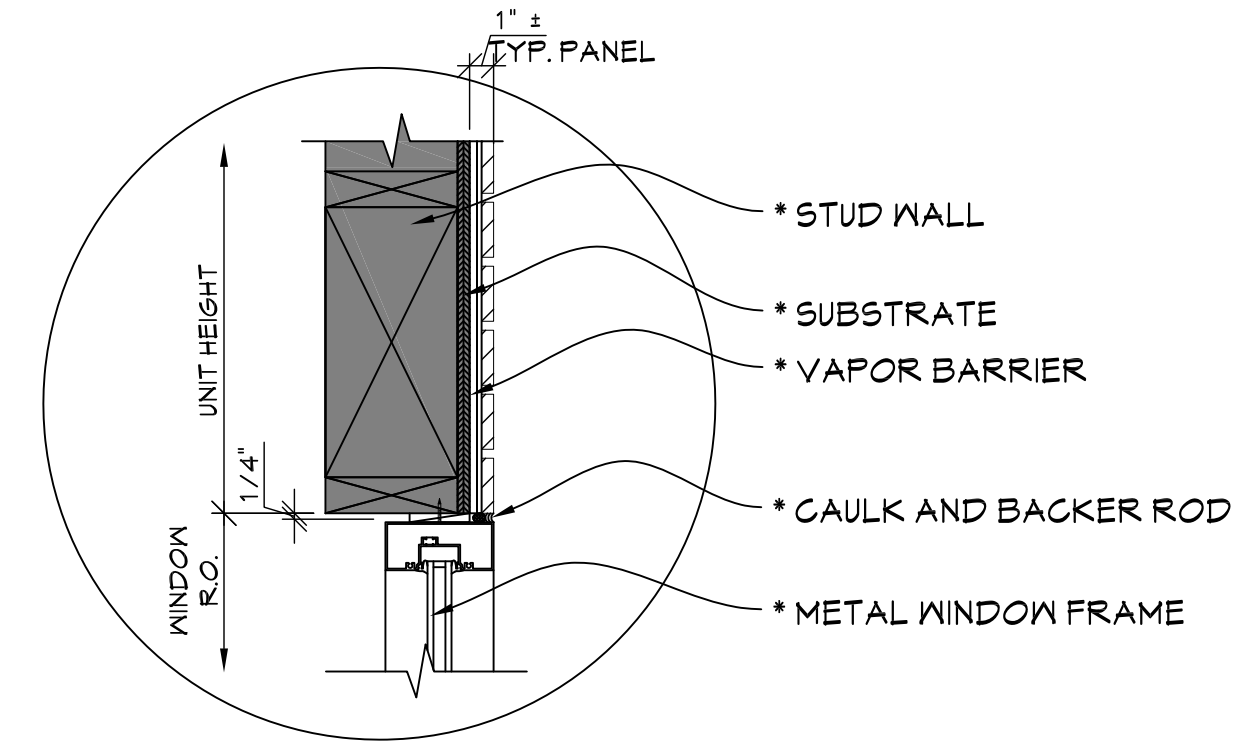


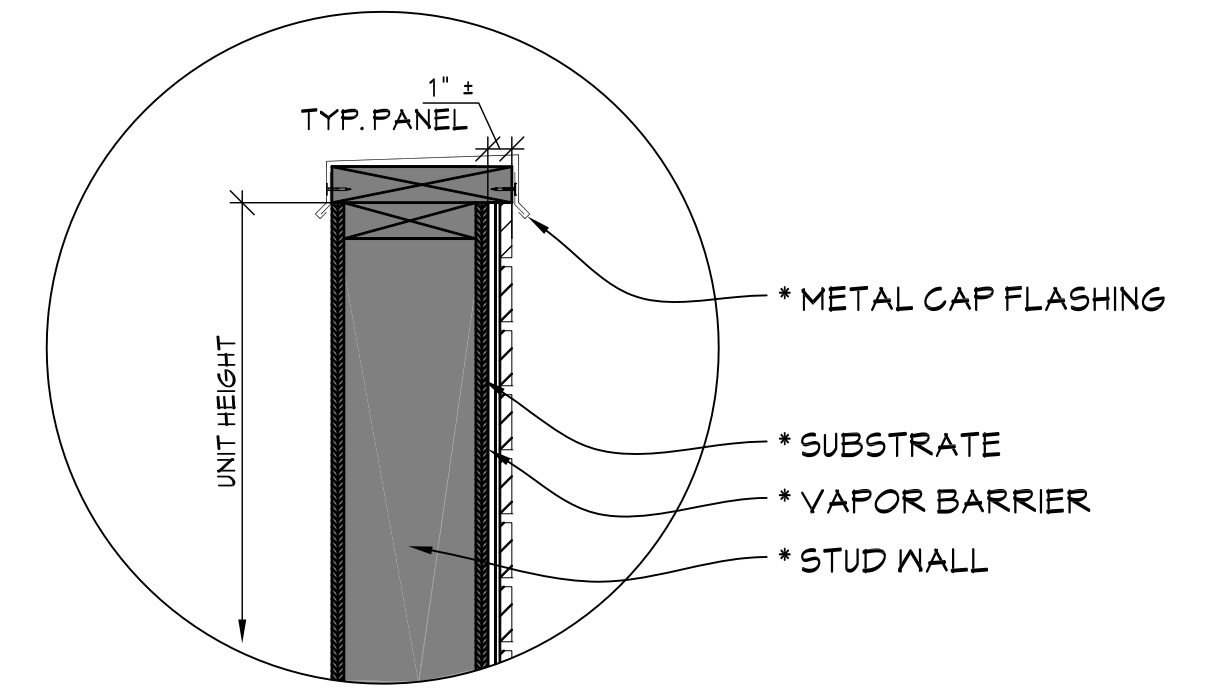
A VERTICAL JOINT
SCALE 1-1/2" = 1'-0"



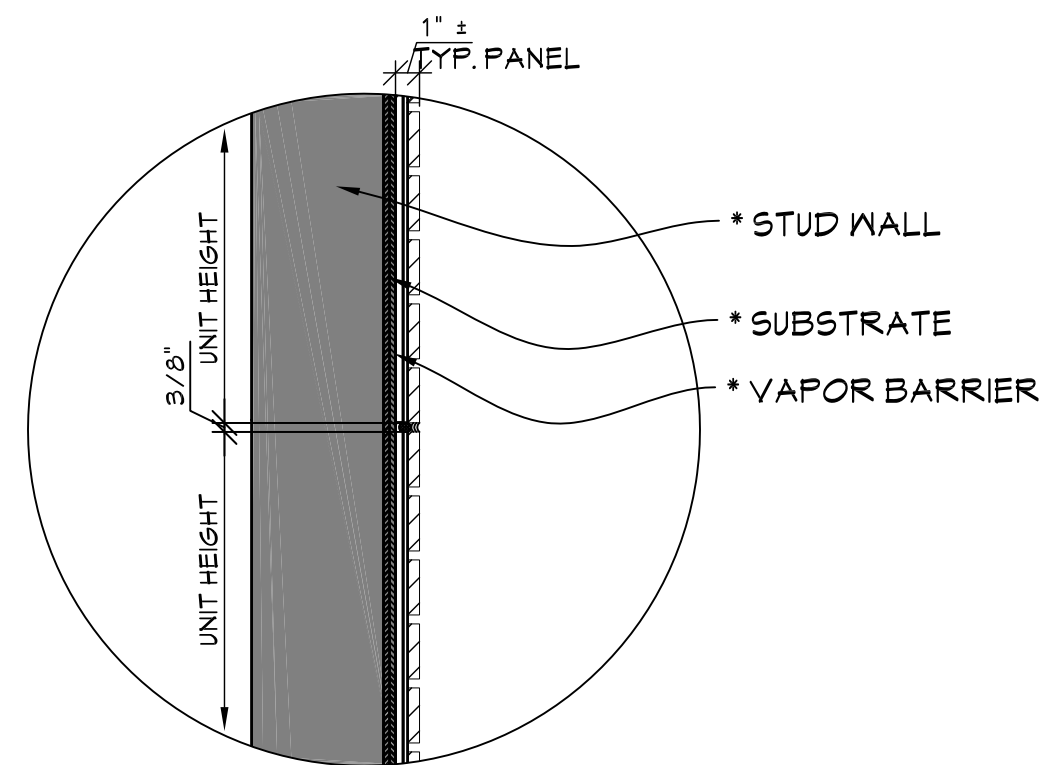
E OUTSIDE CORNER
SCALE 1-1/2" = 1'-0"



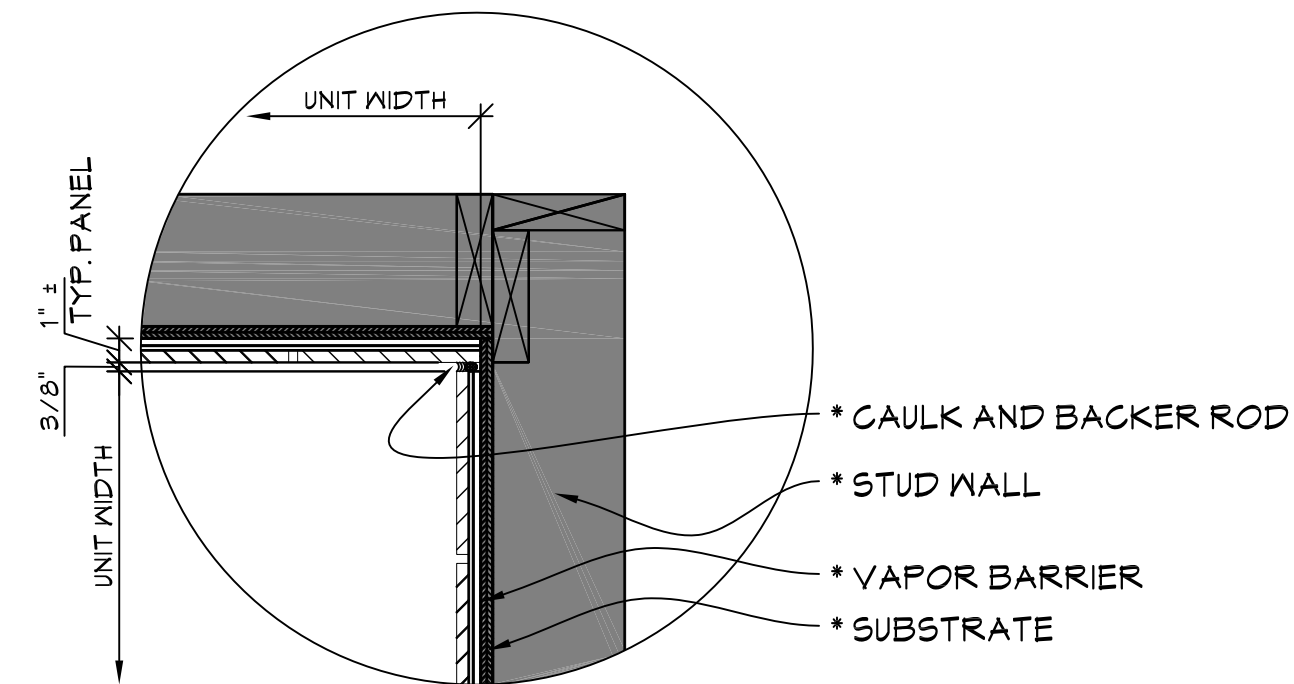
J WINDOW HEAD
SCALE 1-1/2" = 1'-0"



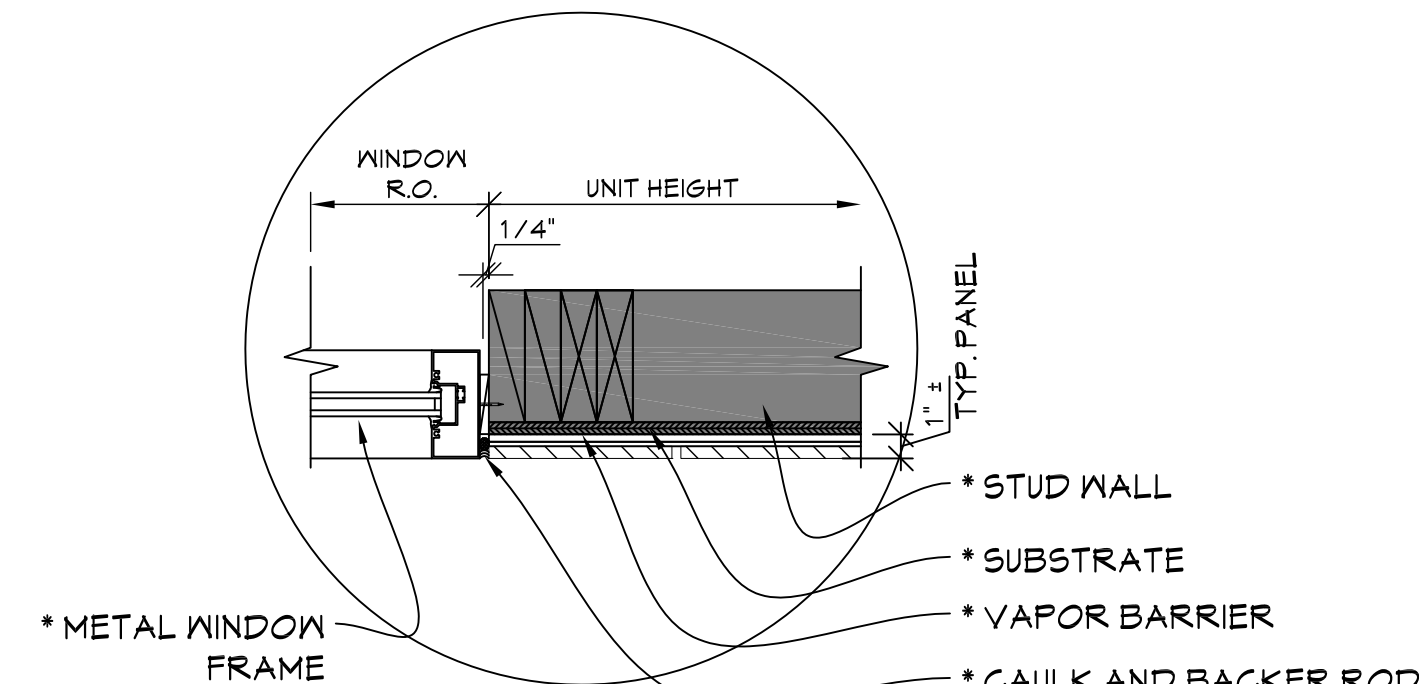
M PARAPET OF WALL
SCALE 1-1/2" = 1'-0"



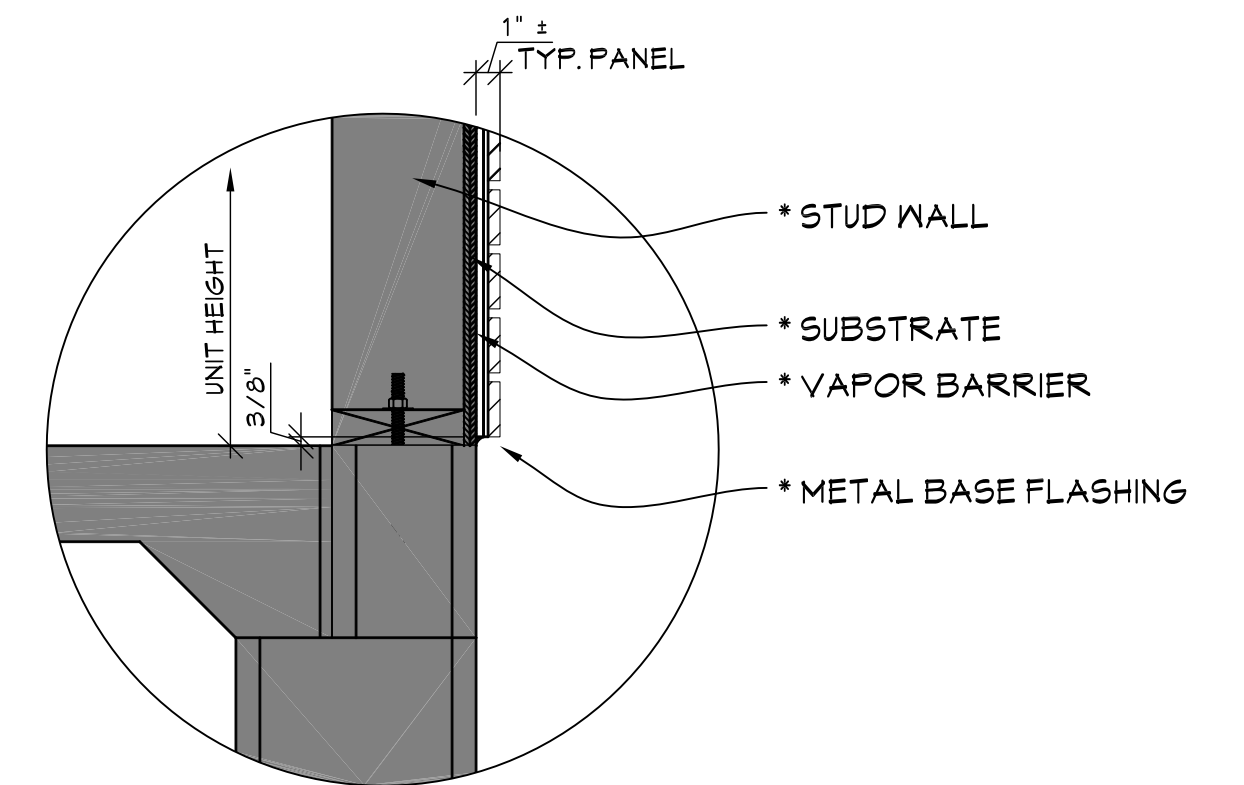
B HORIZONTAL JOINT
SCALE 1-1/2" = 1'-0"



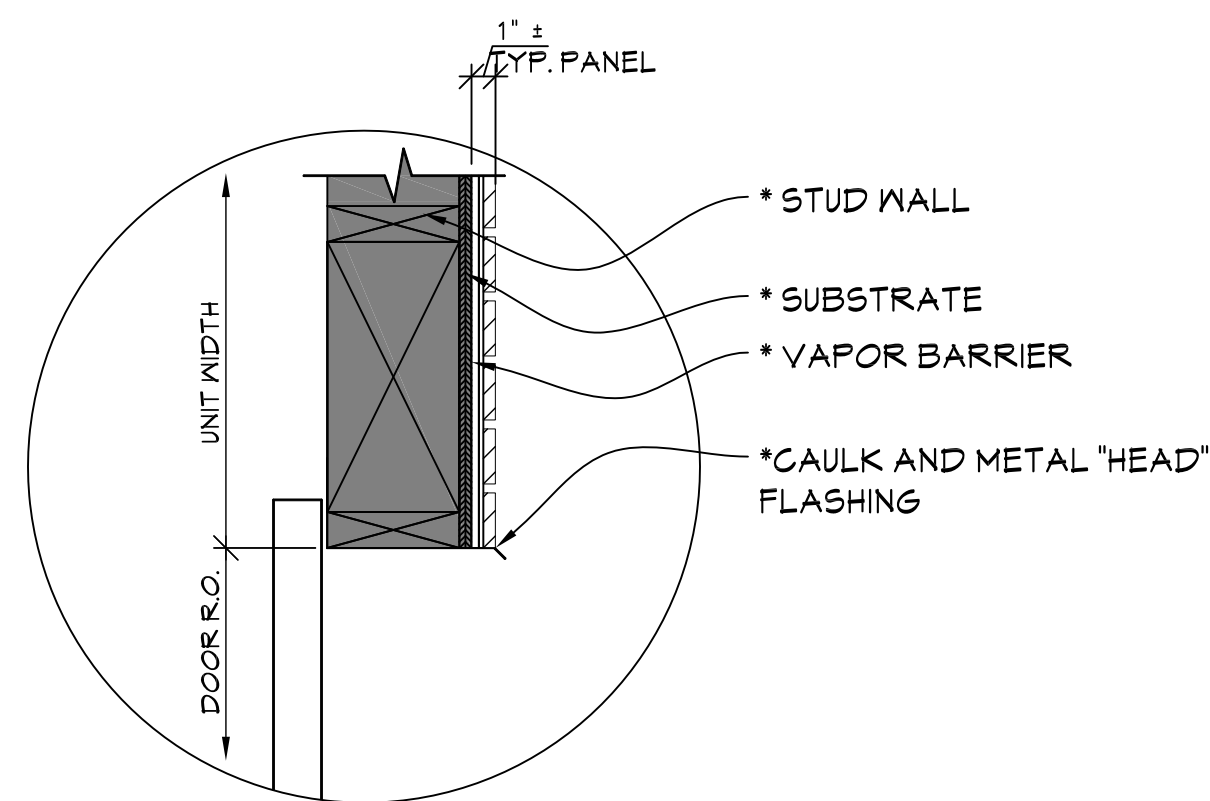
F INSIDE CORNER
SCALE 1-1/2" = 1'-0"



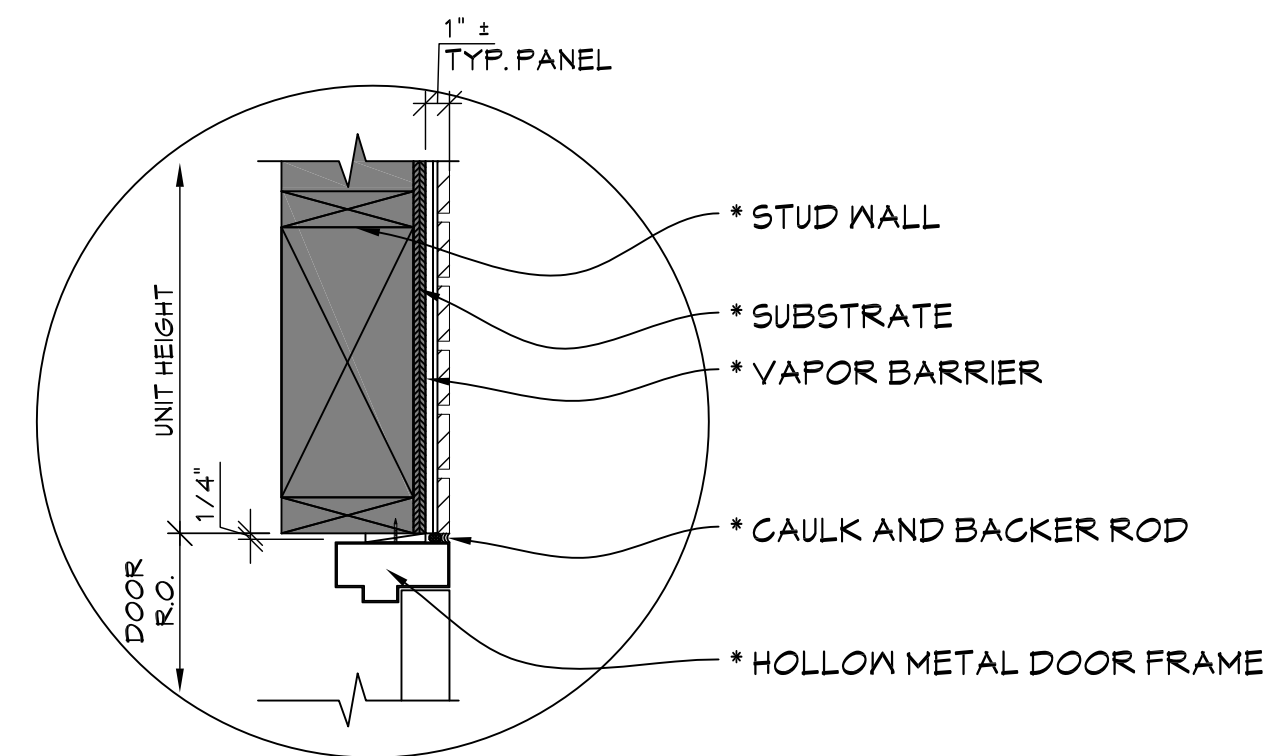
K WINDOW JAMB
SCALE 1-1/2" = 1'-0"



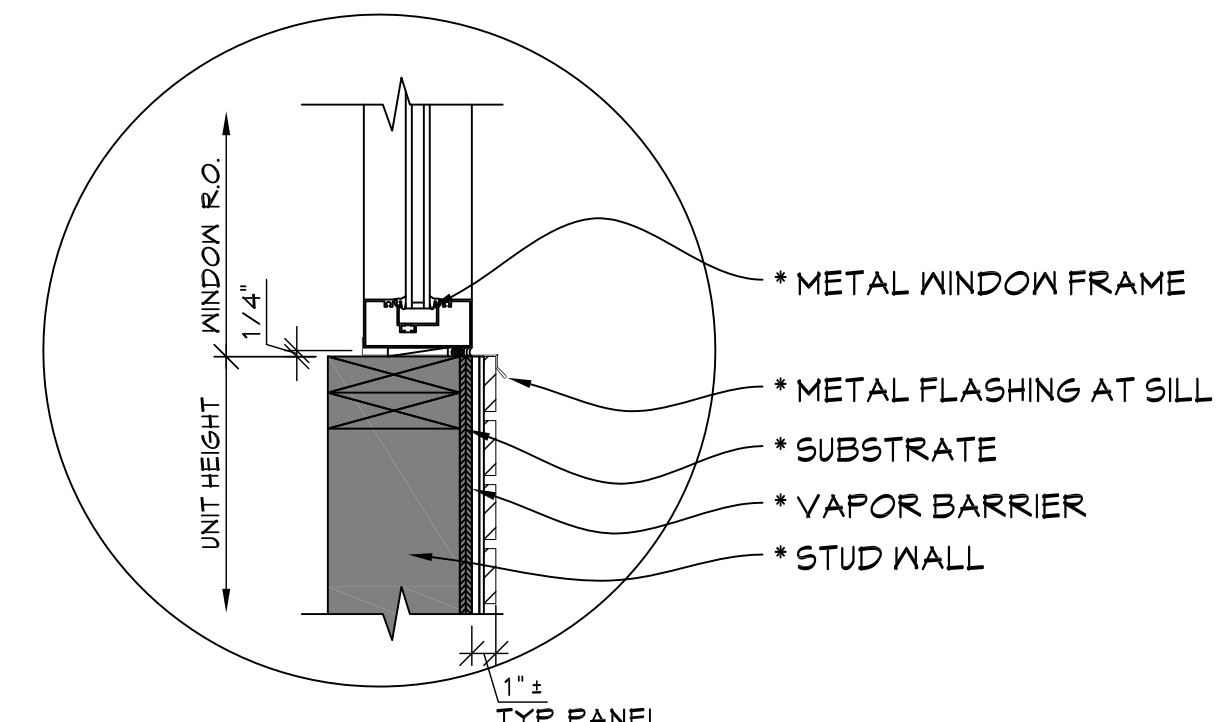
N BASE OF WALL
SCALE 1-1/2" = 1'-0"



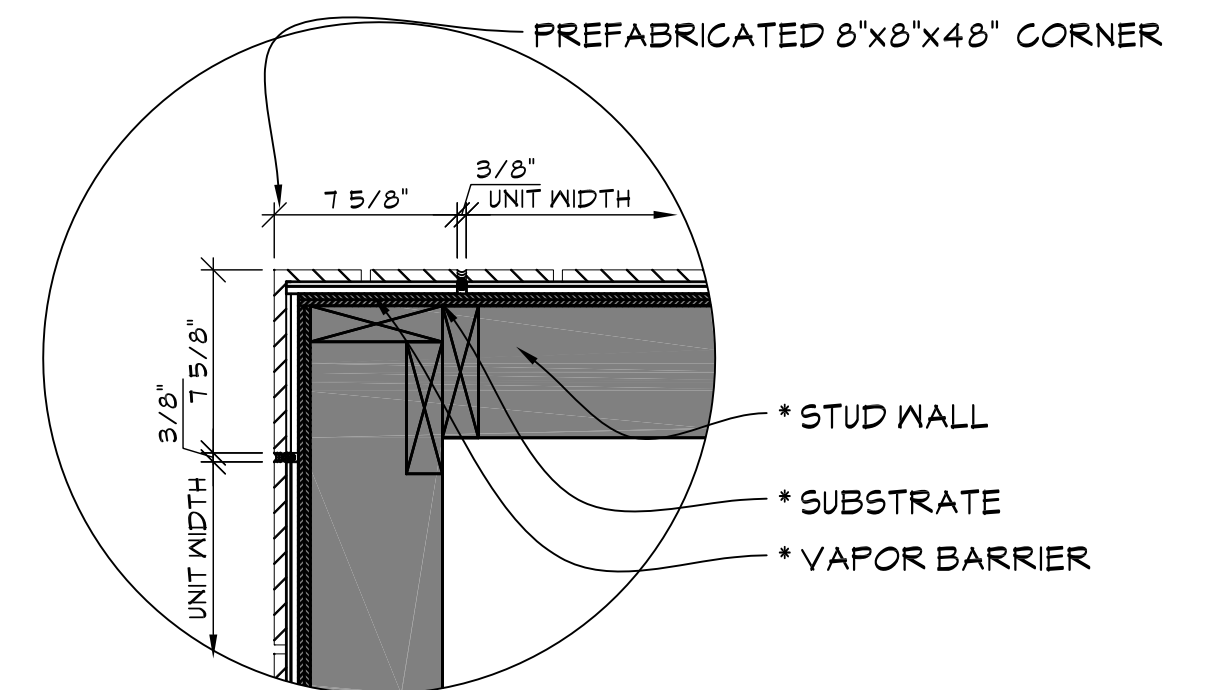
C OVERHEAD DOOR HEAD
SCALE 1-1/2" = 1'-0"



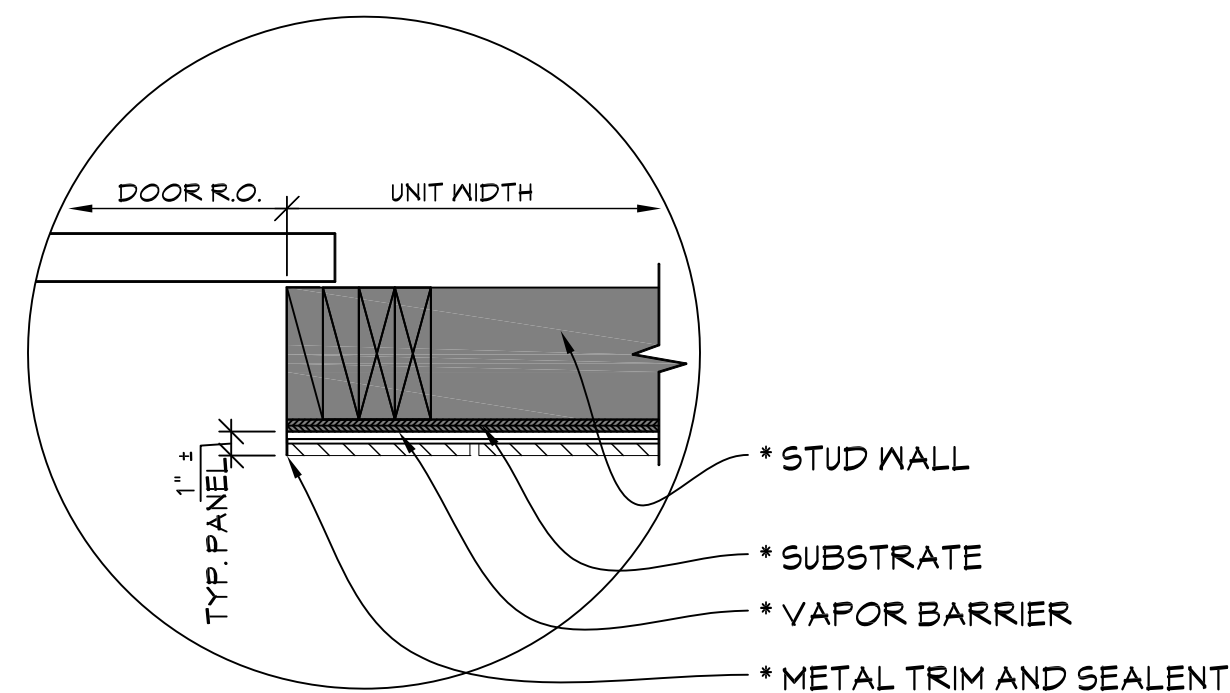
G HOLLOW METAL DOOR HEAD
SCALE 1-1/2" = 1'-0"



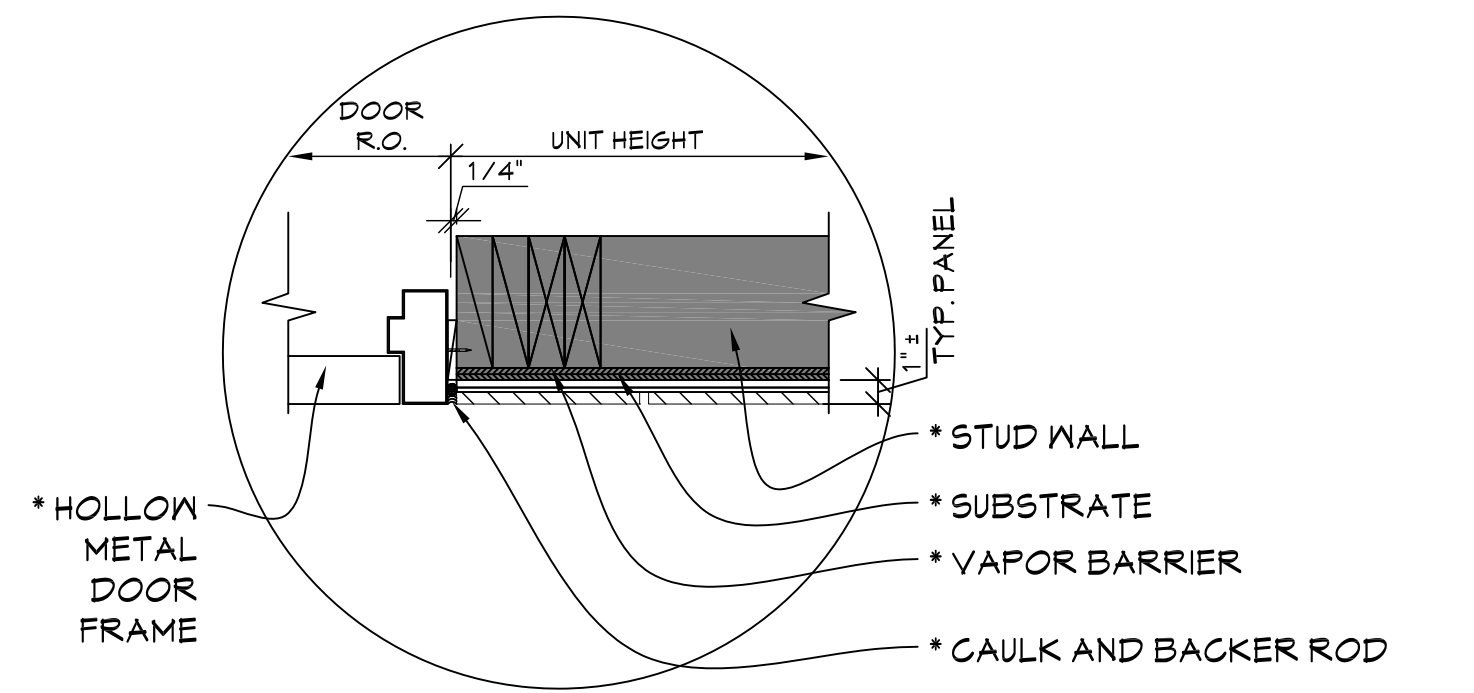
L WINDOW SILL
SCALE 1-1/2" = 1'-0"



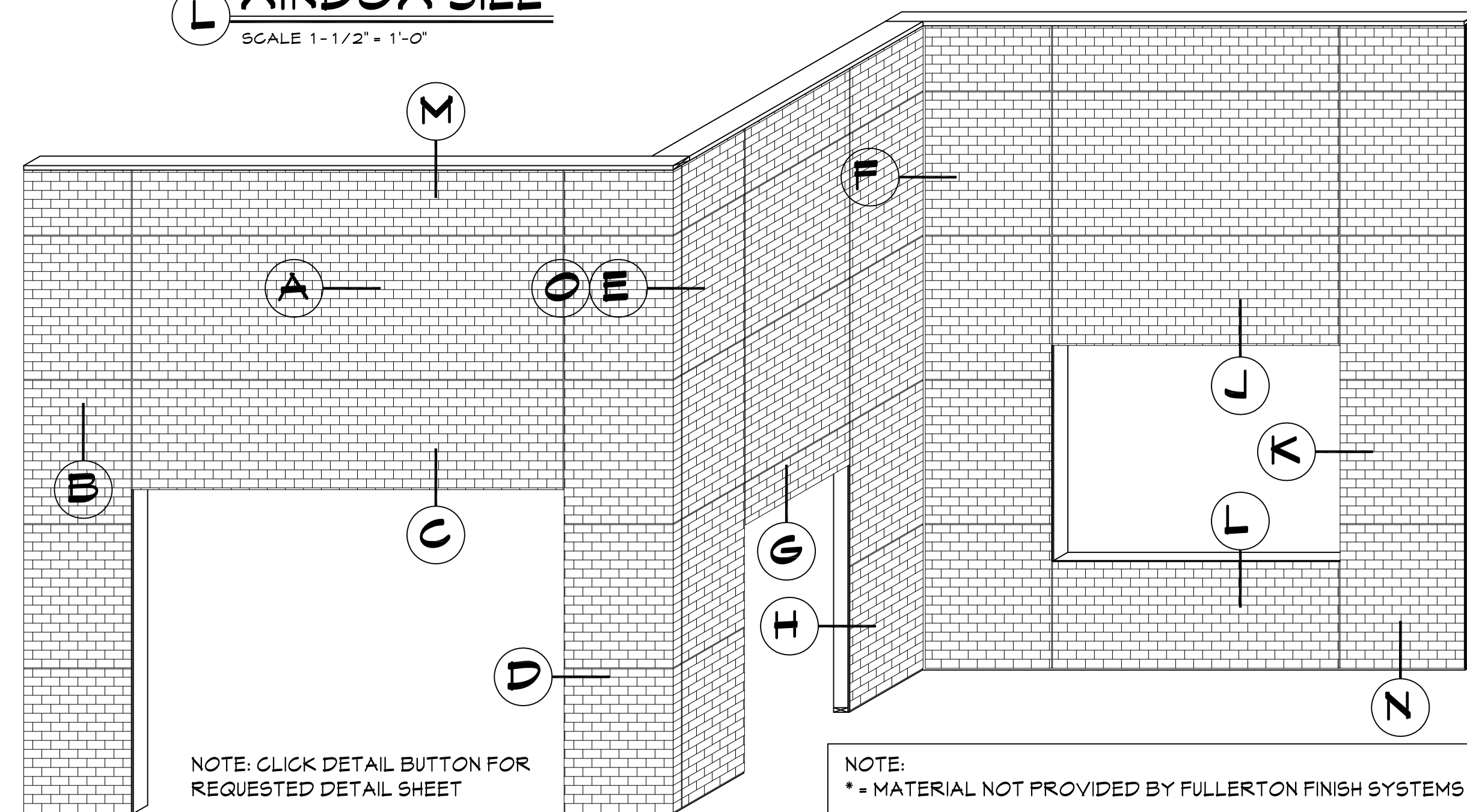
O OPTIONAL OUTSIDE CORNER
SCALE 1-1/2" = 1'-0"



D OVERHEAD DOOR JAMB
SCALE 1-1/2" = 1'-0"



H HOLLOW METAL DOOR JAMB
SCALE 1-1/2" = 1'-0"



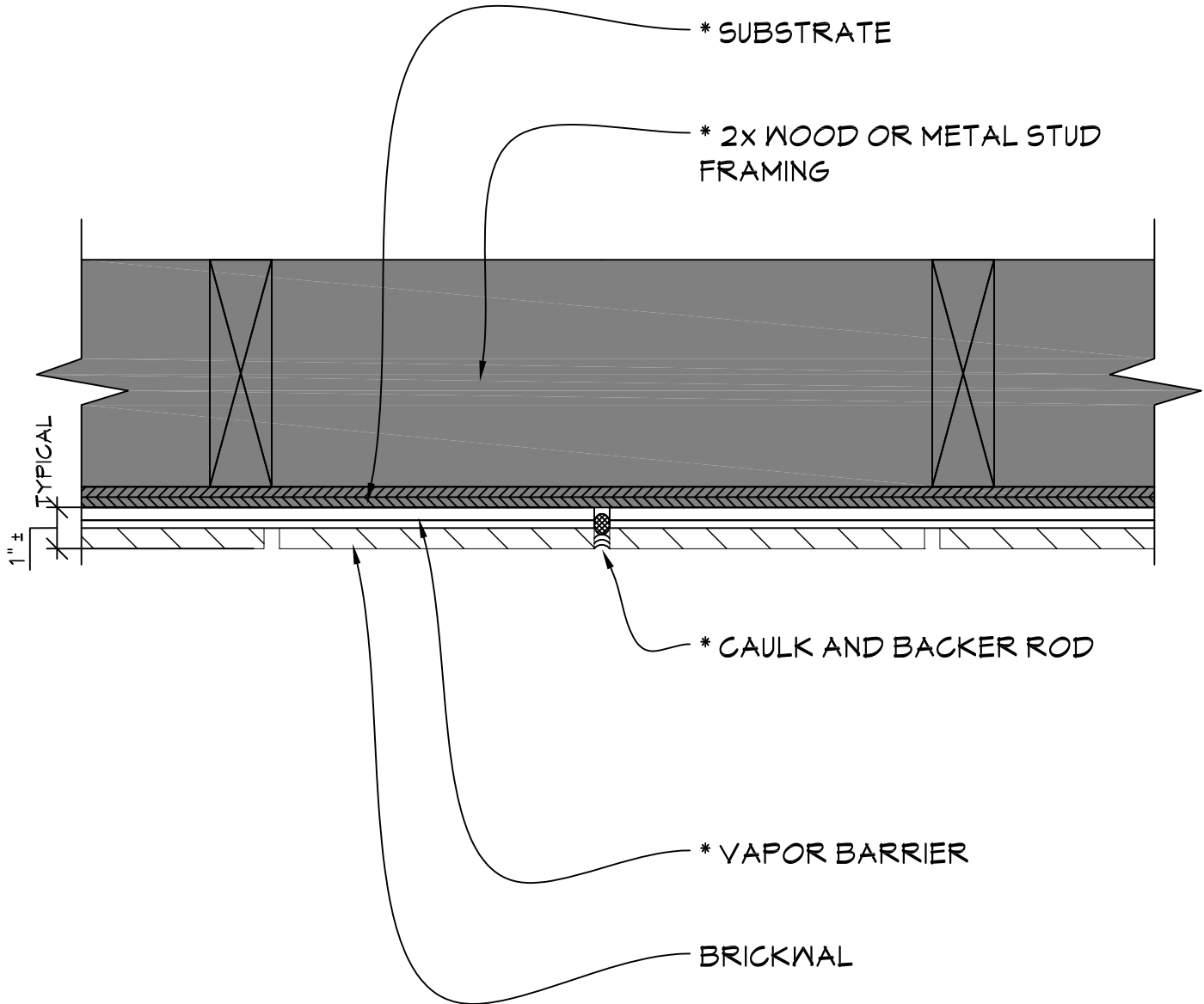
NOTE:
* = MATERIAL NOT PROVIDED BY FULLERTON FINISH SYSTEMS

BRICKWAL

FFS
FULLERTON
FINISH SYSTEMS

8645 W. 21st. Street P.O. Box 609
Sand Springs, OK. 74063
PH (918) 246-9995

CLICK FFS LOGO TO RETURN TO MAIN PAGE

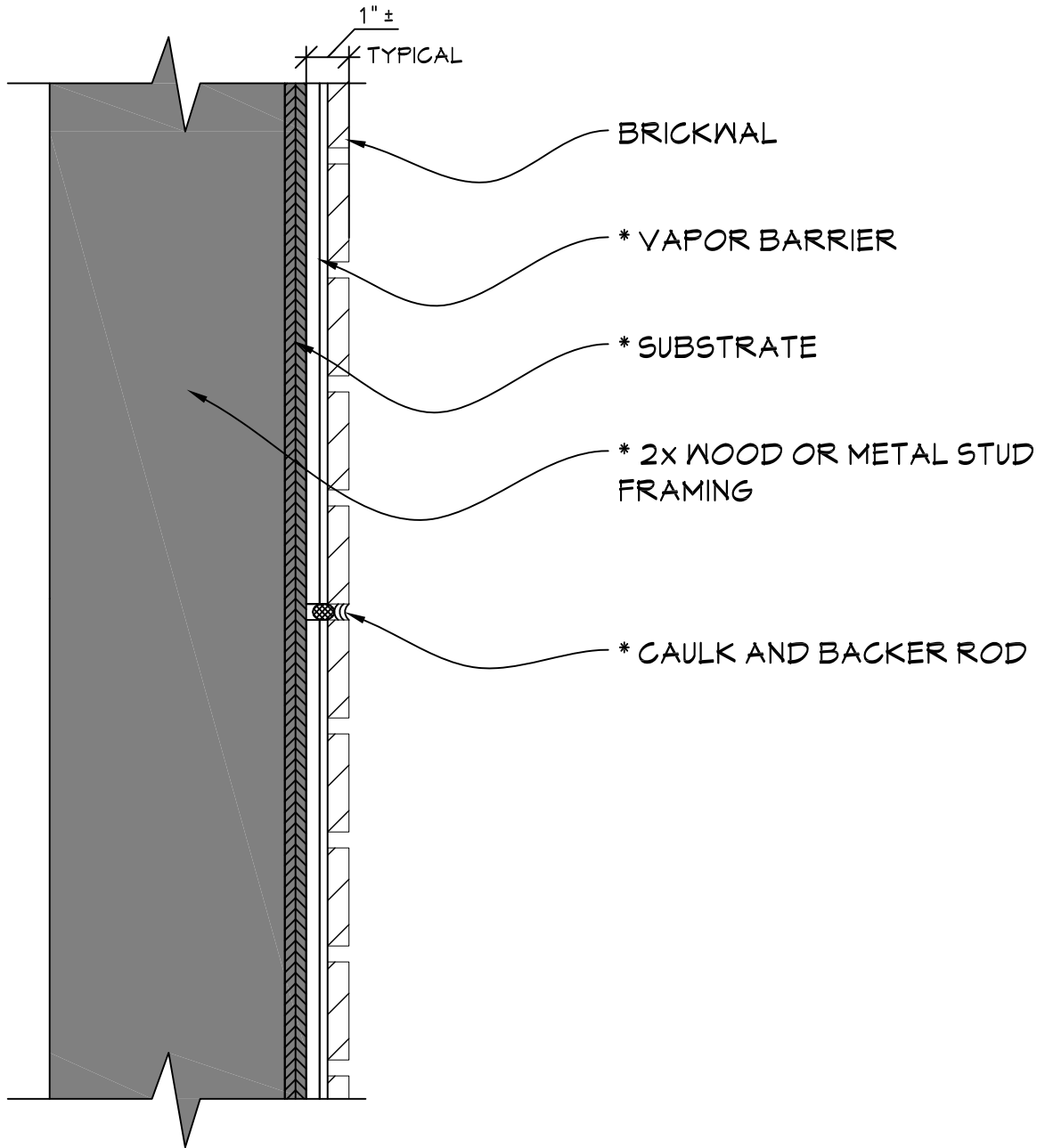


TYPICAL VERTICAL DETAIL

SCALE: 3" = 1'-0"

NOTE:
* = MATERIAL NOT PROVIDED BY FULLERTON FINISH SYSTEMS

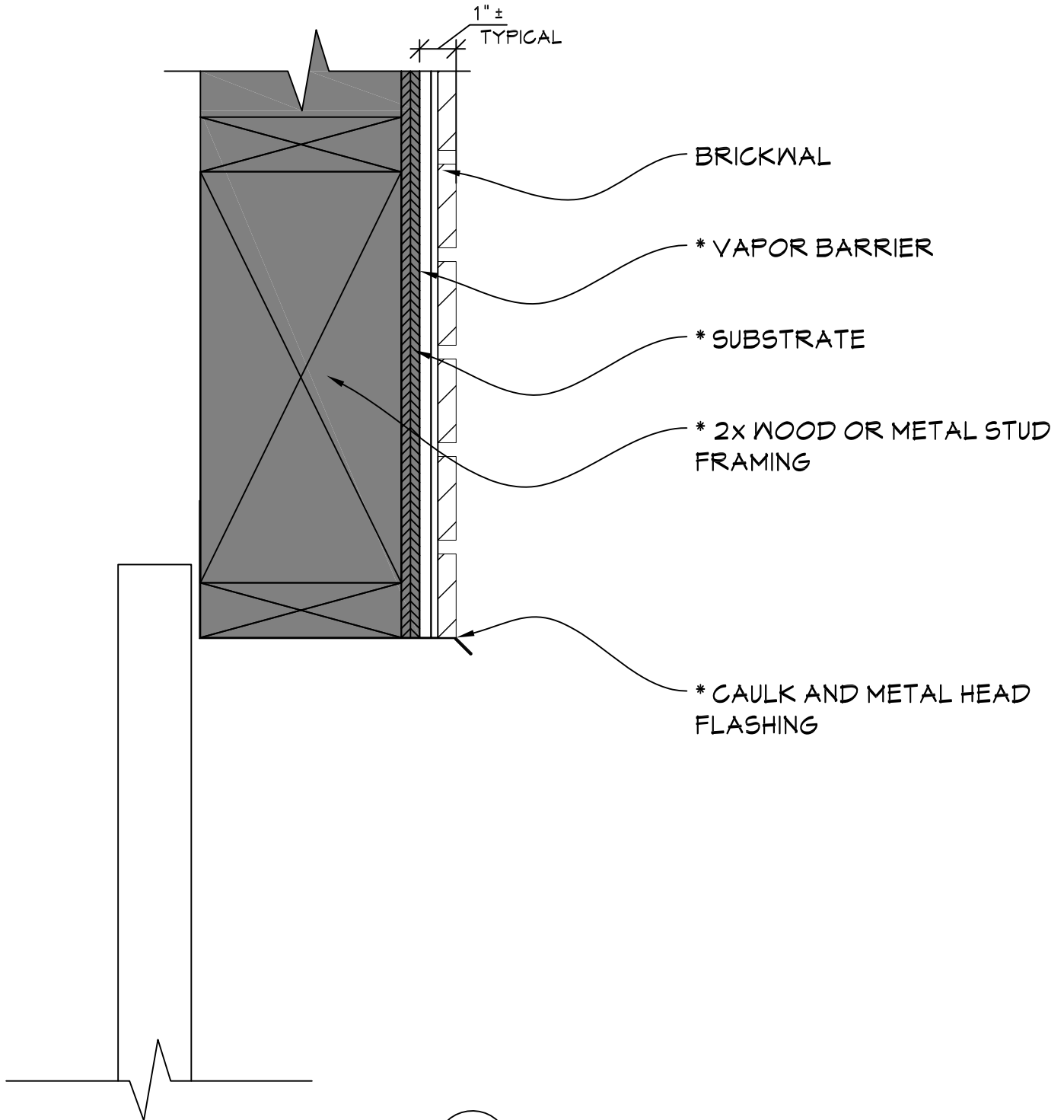
CLICK FFS LOGO TO RETURN TO MAIN PAGE



B TYPICAL HORIZONTAL DETAIL
SCALE: 3" = 1'-0"

NOTE:
* = MATERIAL NOT PROVIDED BY FULLERTON FINISH SYSTEMS

CLICK FFS LOGO TO RETURN TO MAIN PAGE

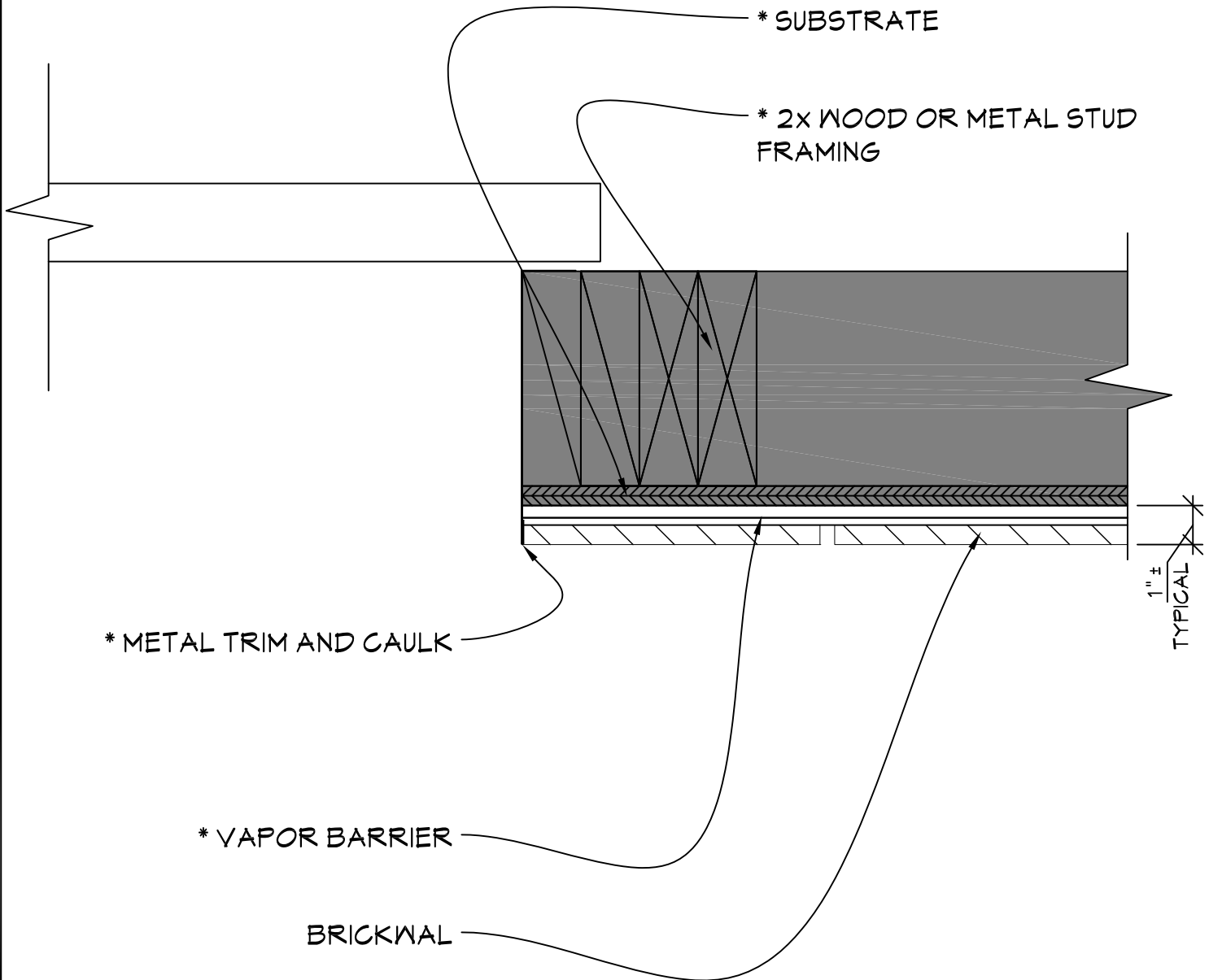


TYPICAL OVERHEAD DOOR DETAIL

SCALE: 3" = 1'-0"

NOTE:
* = MATERIAL NOT PROVIDED BY FULLERTON FINISH SYSTEMS

CLICK FFS LOGO TO RETURN TO MAIN PAGE

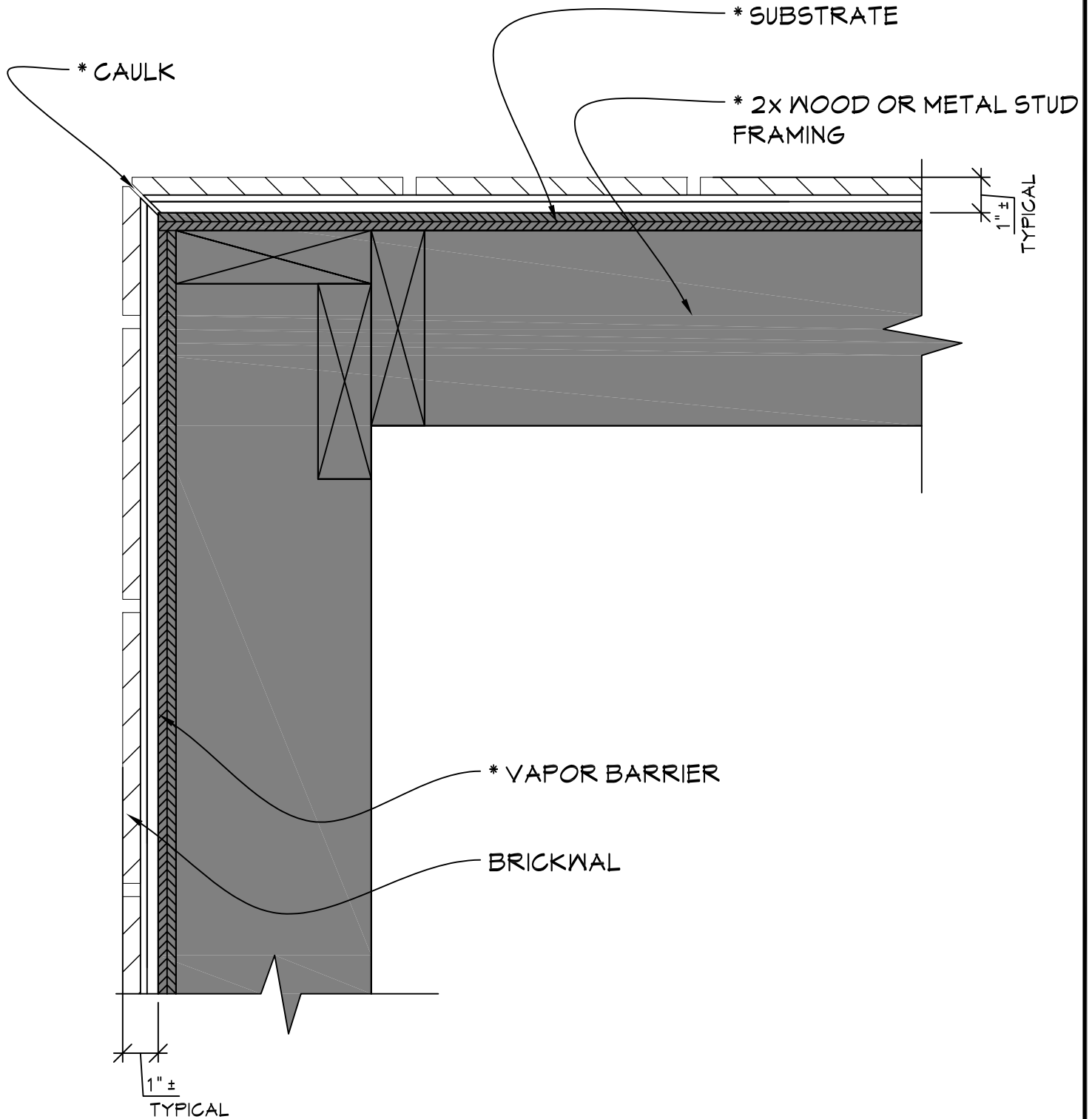


TYPICAL OVERHEAD DOOR JAMB DETAIL

SCALE: 3" = 1'-0"

NOTE:
* = MATERIAL NOT PROVIDED BY FULLERTON FINISH SYSTEMS

CLICK FFS LOGO TO RETURN TO MAIN PAGE

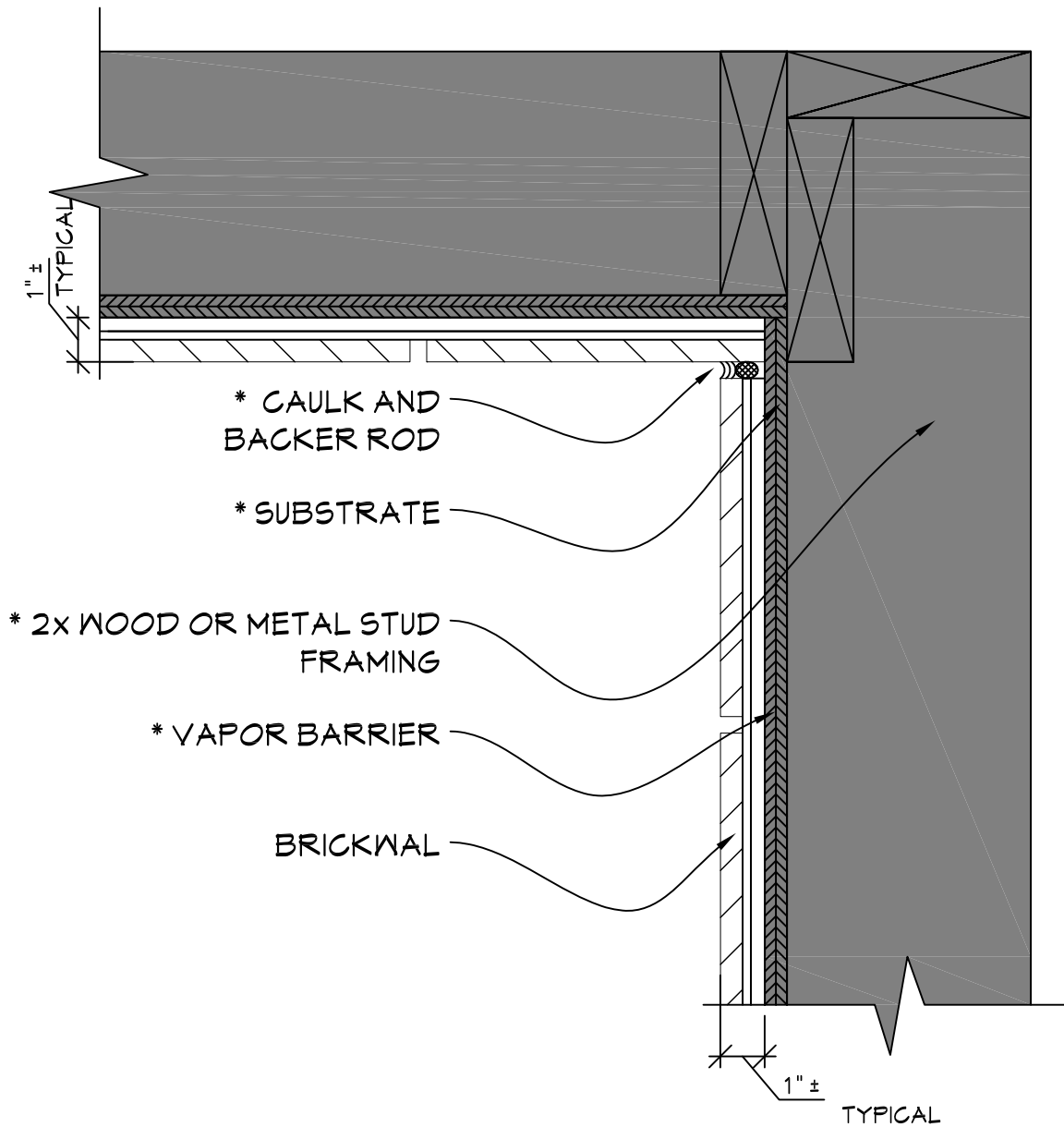


TYPICAL OUTSIDE CORNER DETAIL

SCALE: 3" = 1'-0"

NOTE:
* = MATERIAL NOT PROVIDED BY FULLERTON FINISH SYSTEMS

CLICK FFS LOGO TO RETURN TO MAIN PAGE

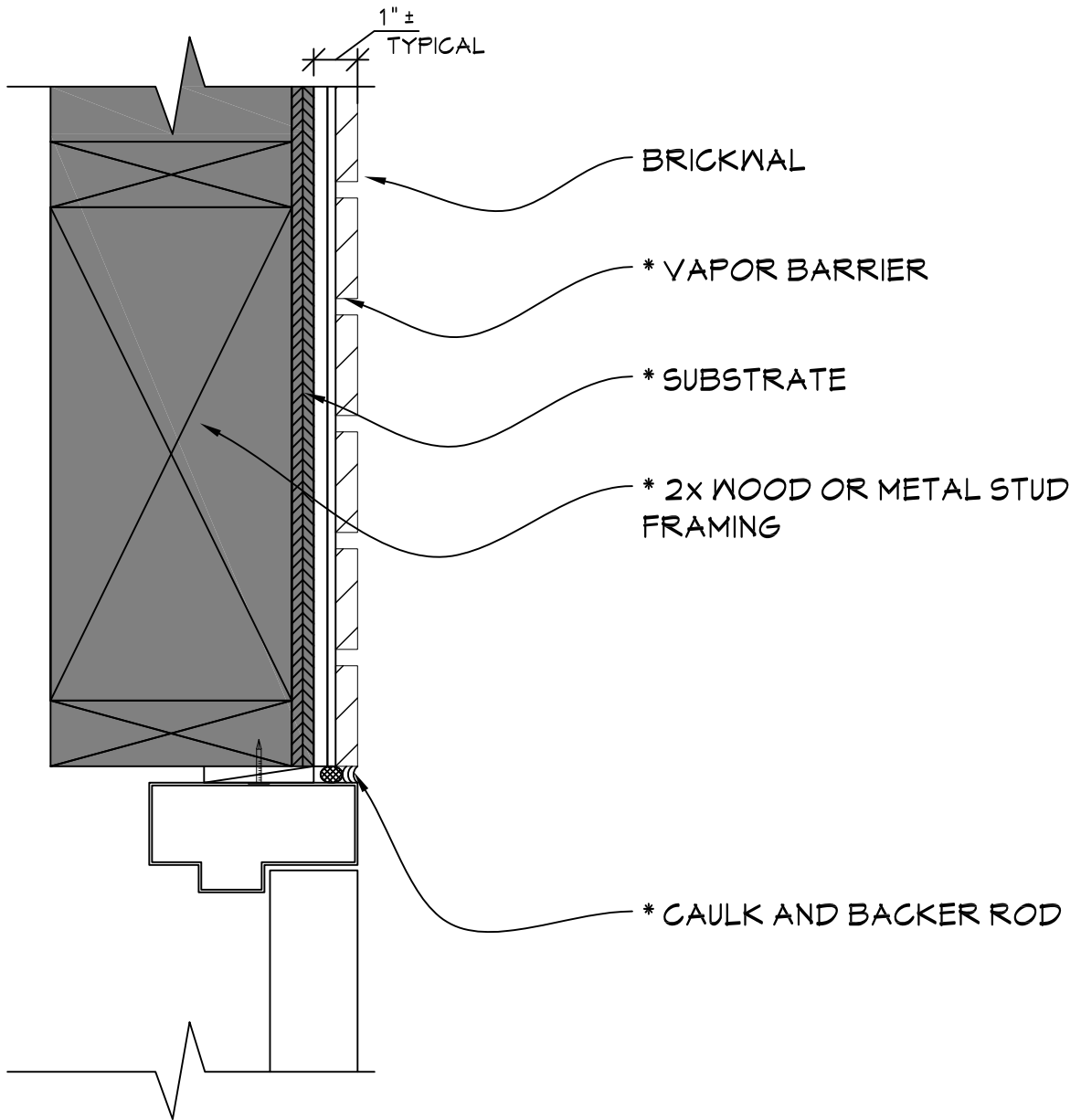


TYPICAL INSIDE CORNER DETAIL

SCALE: 3" = 1'-0"

NOTE:
 * = MATERIAL NOT PROVIDED BY FULLERTON FINISH SYSTEMS

CLICK FFS LOGO TO RETURN TO MAIN PAGE

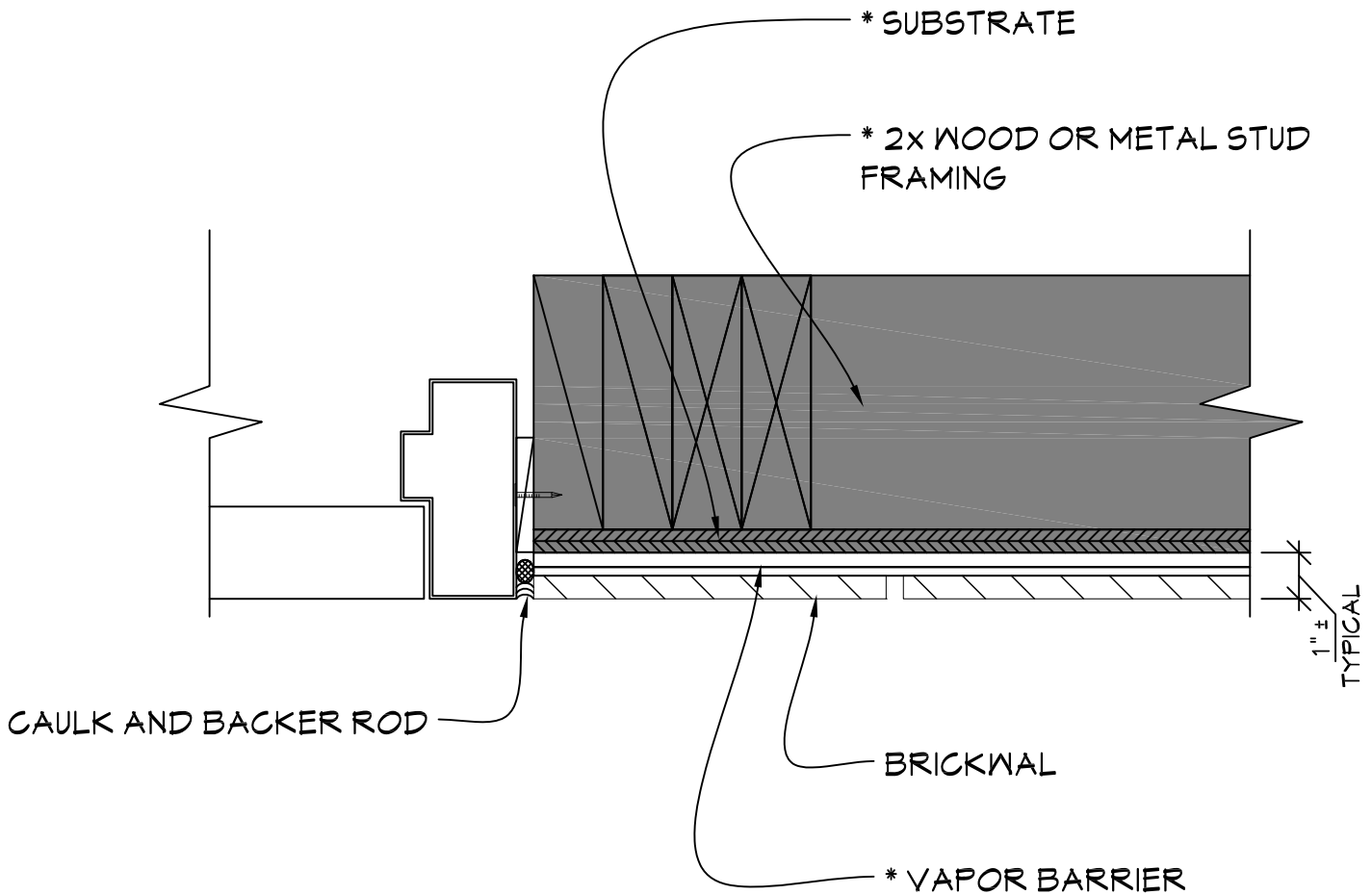


TYPICAL DOOR HEAD DETAIL

SCALE: 3" = 1'-0"

NOTE:
* = MATERIAL NOT PROVIDED BY FULLERTON FINISH SYSTEMS

BRICKWAL

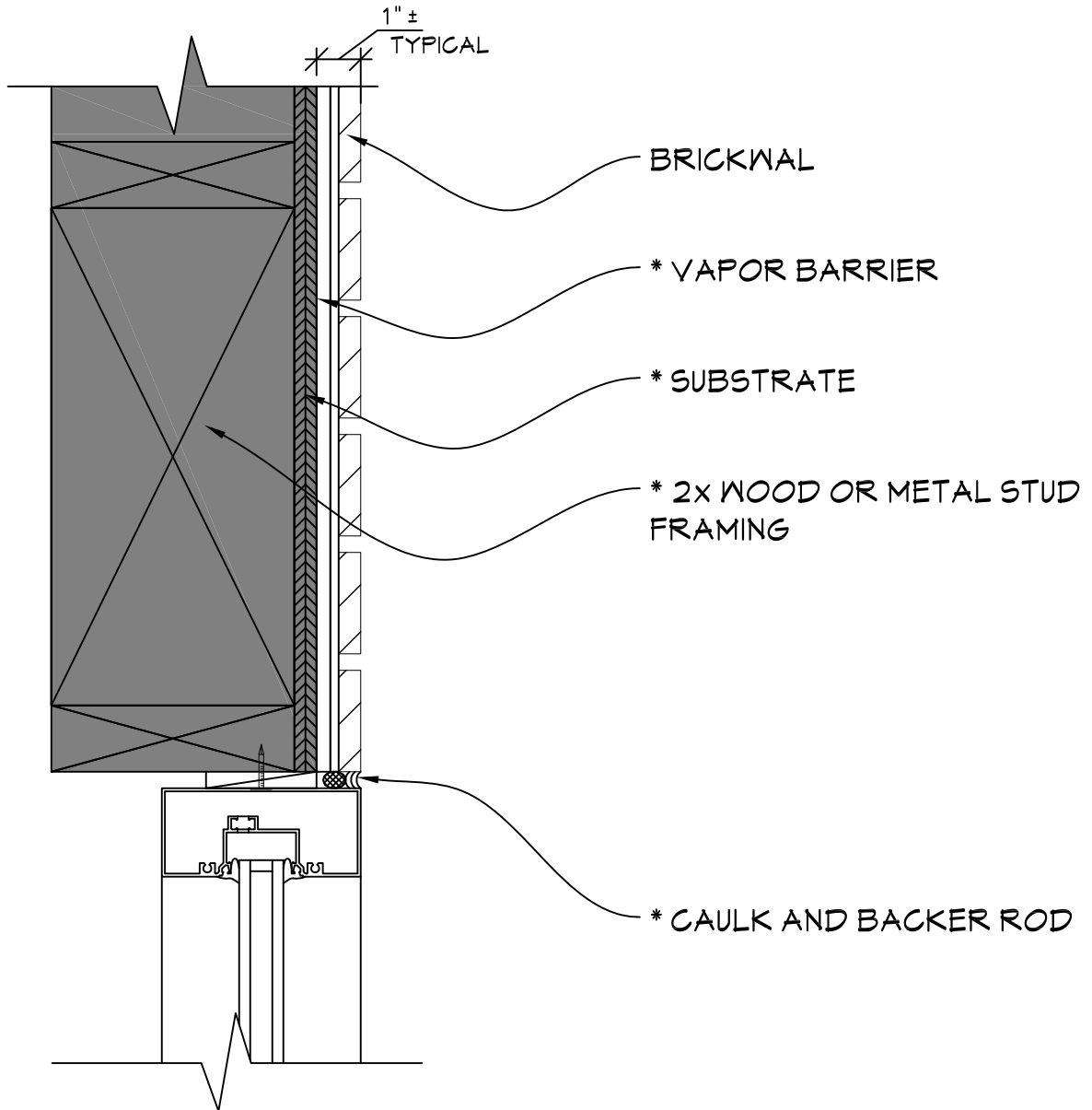


TYPICAL DOOR JAMB DETAIL

SCALE: 3" = 1'-0"

NOTE:
* = MATERIAL NOT PROVIDED BY FULLERTON FINISH SYSTEMS

CLICK FFS LOGO TO RETURN TO MAIN PAGE

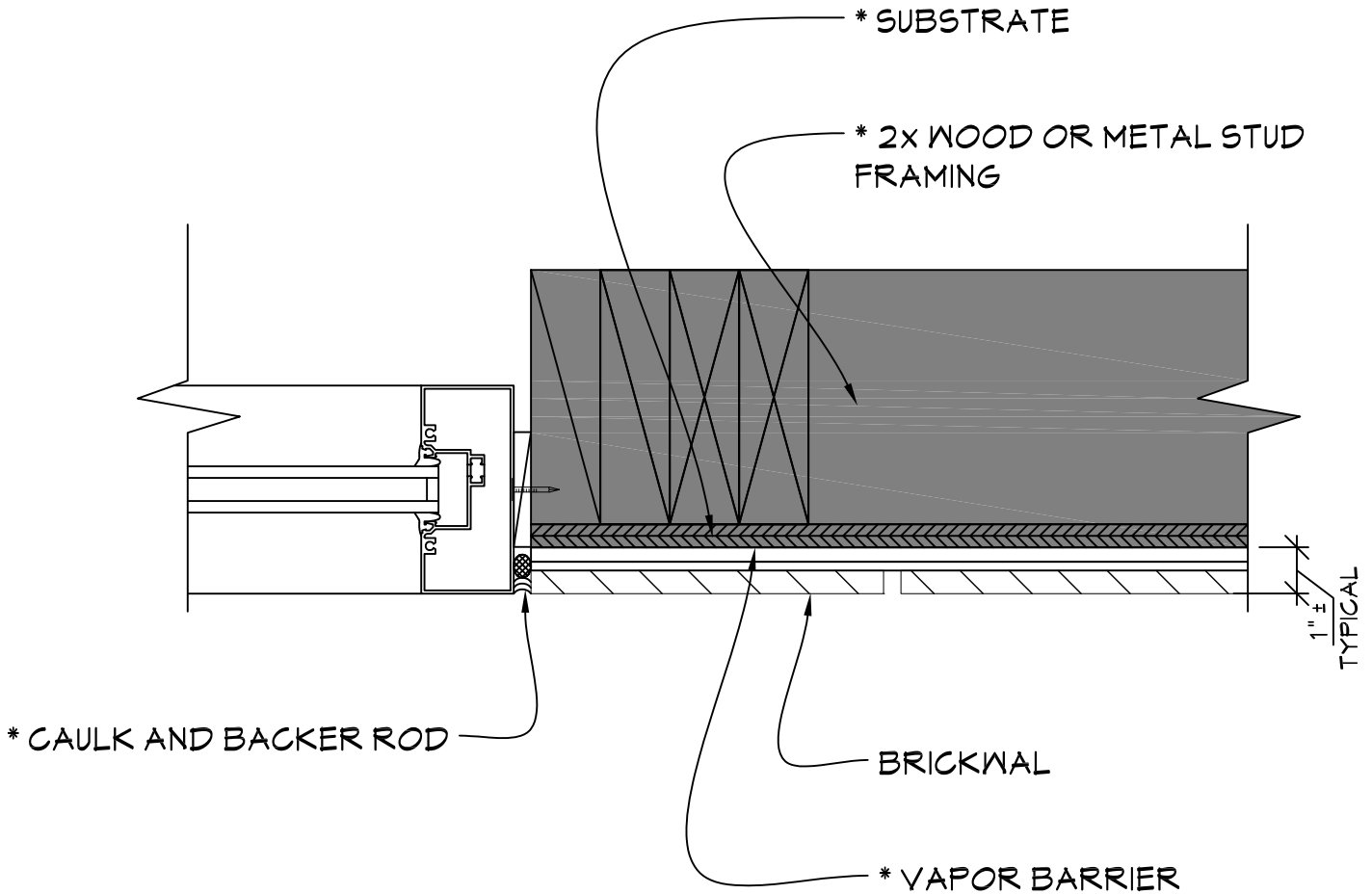


TYPICAL WINDOW HEAD DETAIL

SCALE: 3" = 1'-0"

NOTE:
* = MATERIAL NOT PROVIDED BY FULLERTON FINISH SYSTEMS

BRICKWAL

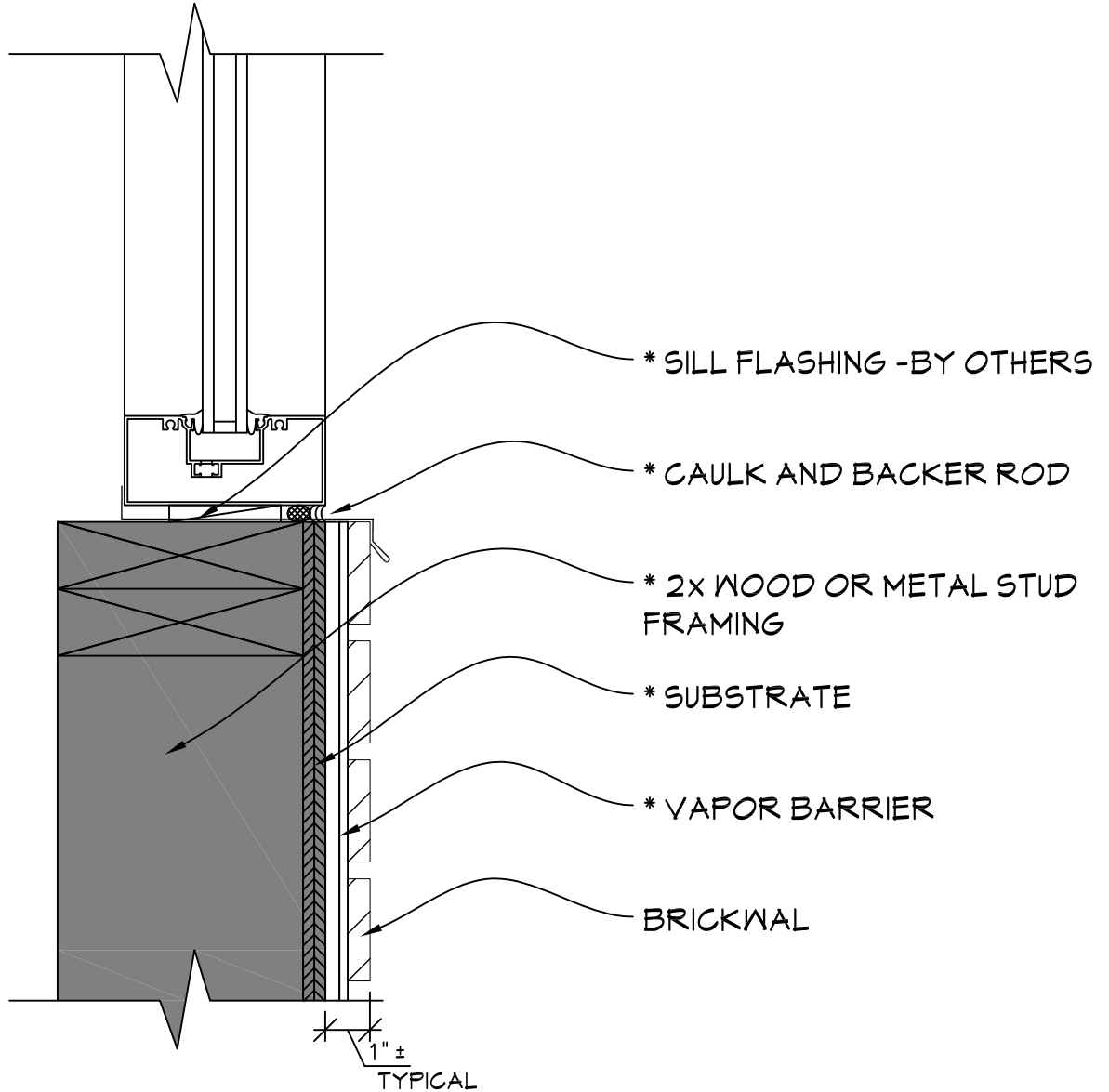


TYPICAL WINDOW JAMB DETAIL

SCALE: 3" = 1'-0"

NOTE:
* = MATERIAL NOT PROVIDED BY FULLERTON FINISH SYSTEMS

CLICK FFS LOGO TO RETURN TO MAIN PAGE

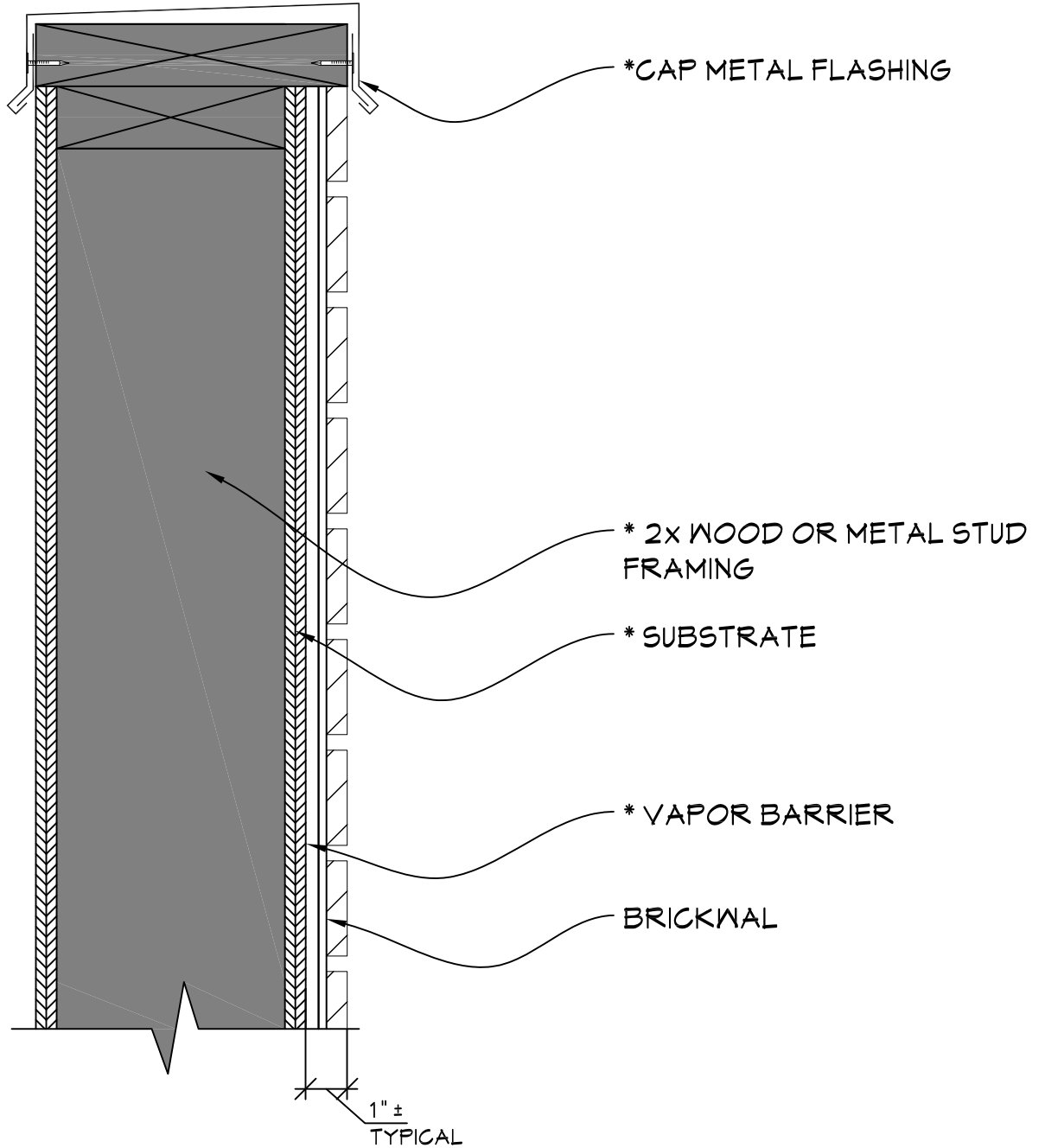


TYPICAL WINDOW SILL DETAIL

SCALE: 3" = 1'-0"

NOTE:
* = MATERIAL NOT PROVIDED BY FULLERTON FINISH SYSTEMS

CLICK FFS LOGO TO RETURN TO MAIN PAGE

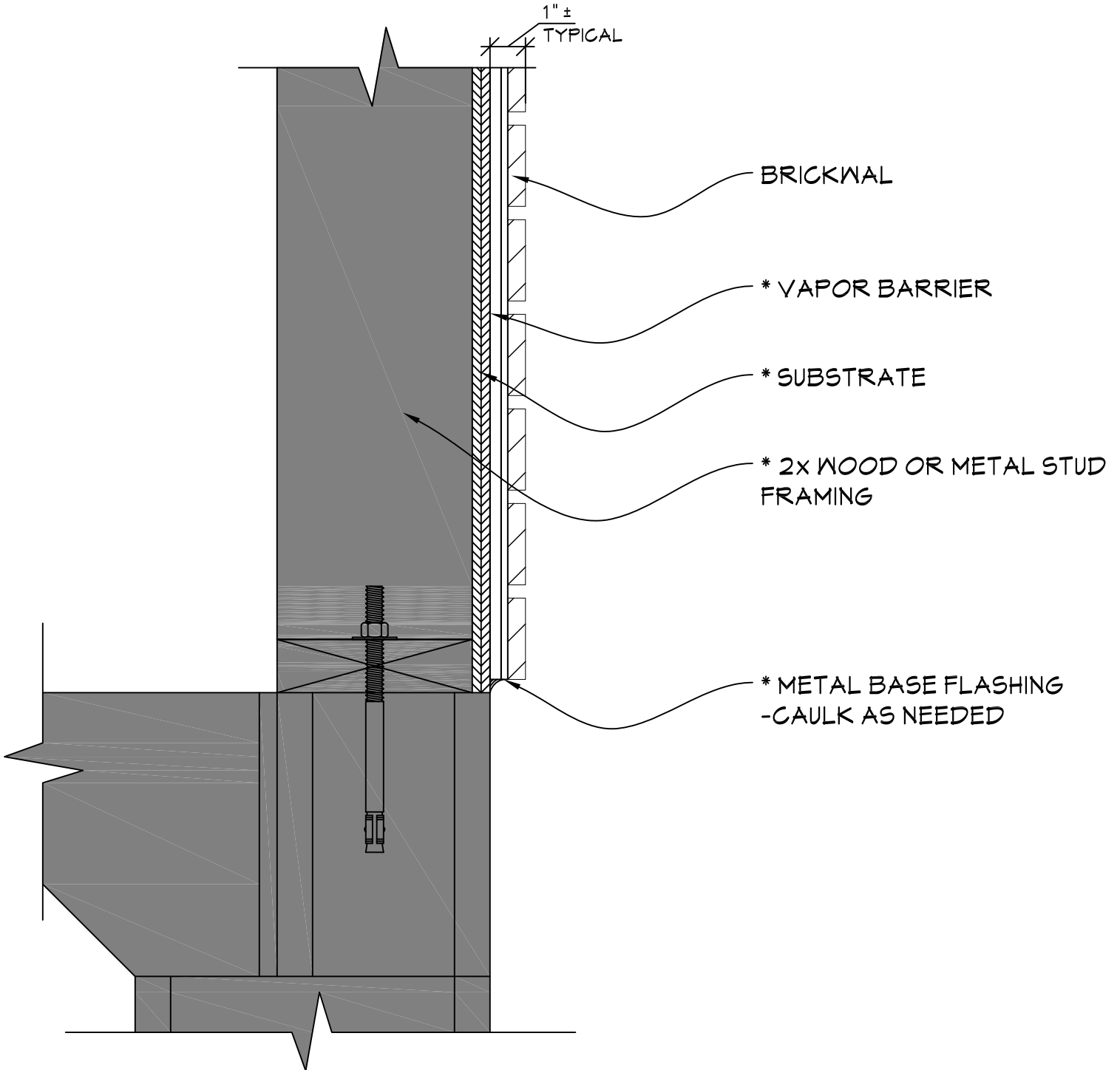


TYPICAL PARAPET DETAIL

SCALE: 3" = 1'-0"

NOTE:
* = MATERIAL NOT PROVIDED BY FULLERTON FINISH SYSTEMS

CLICK FFS LOGO TO RETURN TO MAIN PAGE

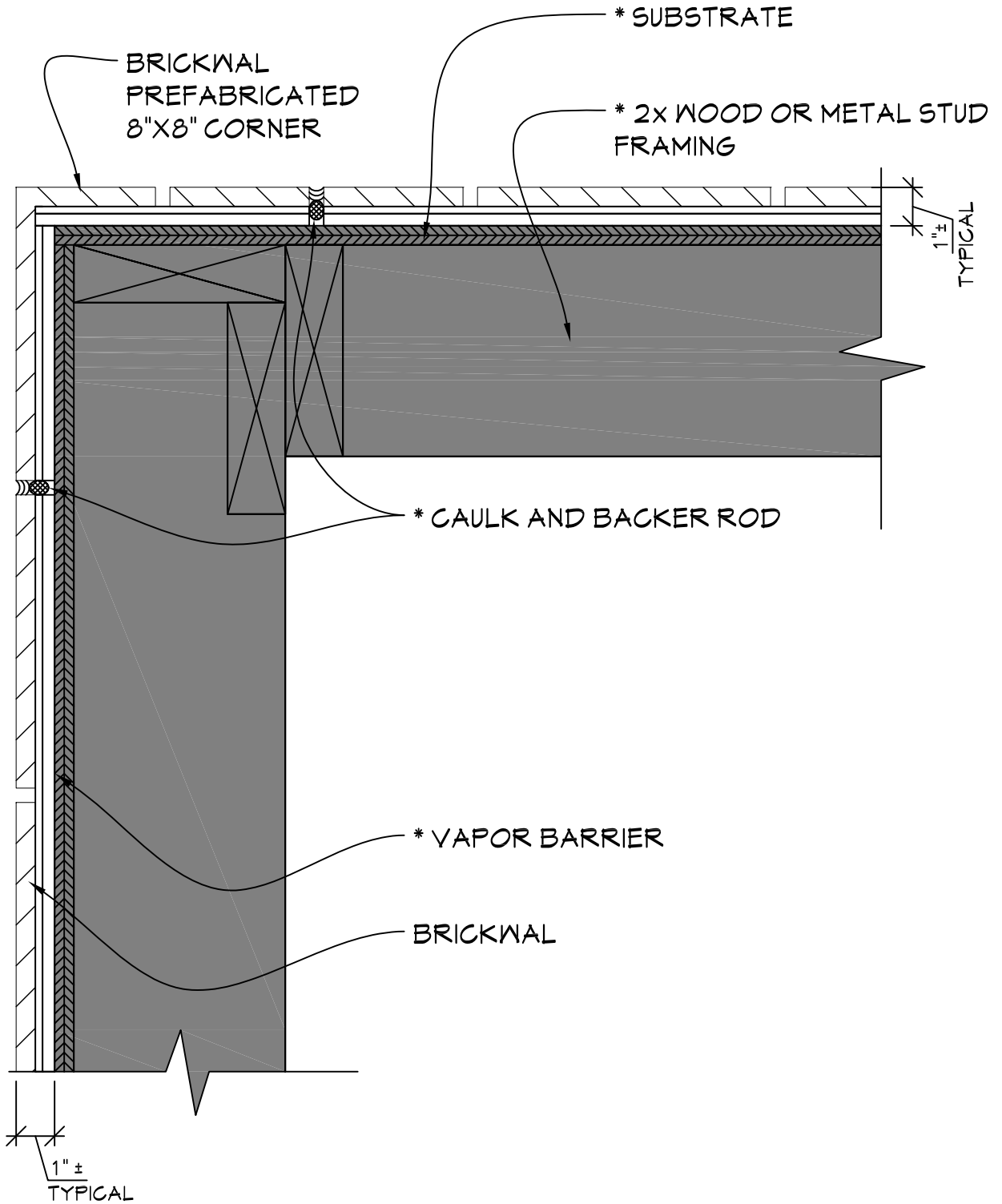


TYPICAL BASE DETAIL

SCALE: 3" = 1'-0"

NOTE:
* = MATERIAL NOT PROVIDED BY FULLERTON FINISH SYSTEMS

CLICK FFS LOGO TO RETURN TO MAIN PAGE



OPTIONAL OUTSIDE PREFAB CORNER DETAIL

SCALE: 3" = 1'-0"

NOTE:
 * = MATERIAL NOT PROVIDED BY FULLERTON FINISH SYSTEMS